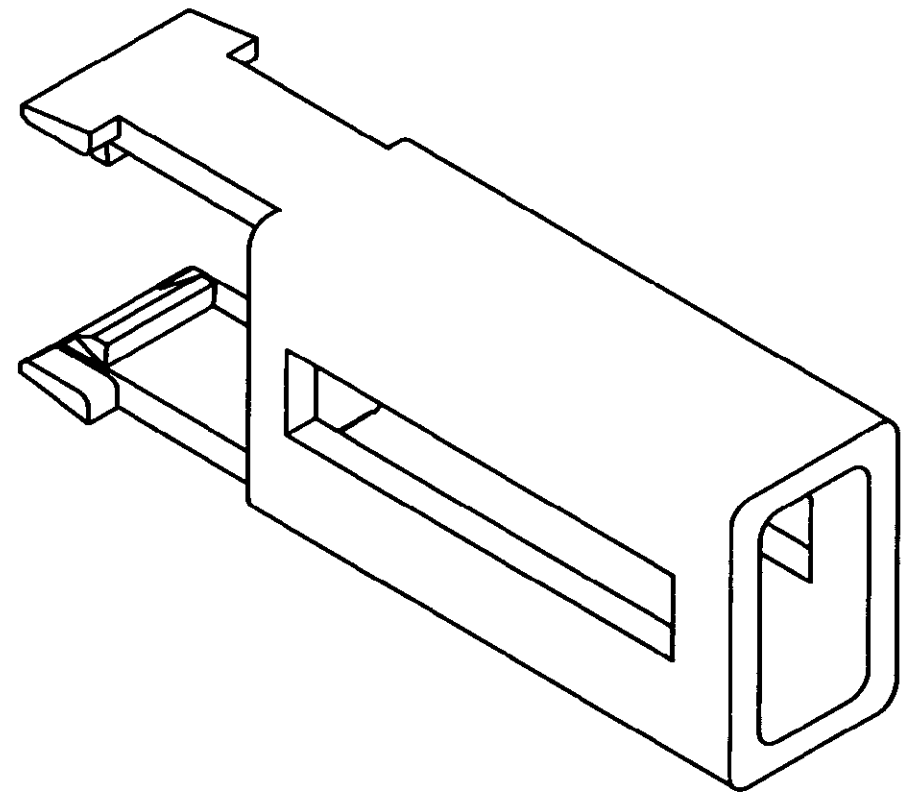
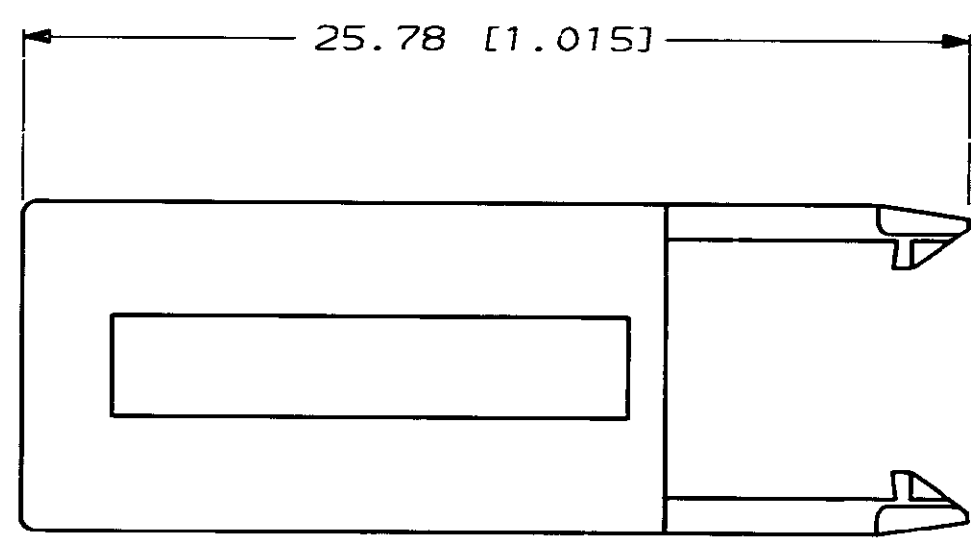
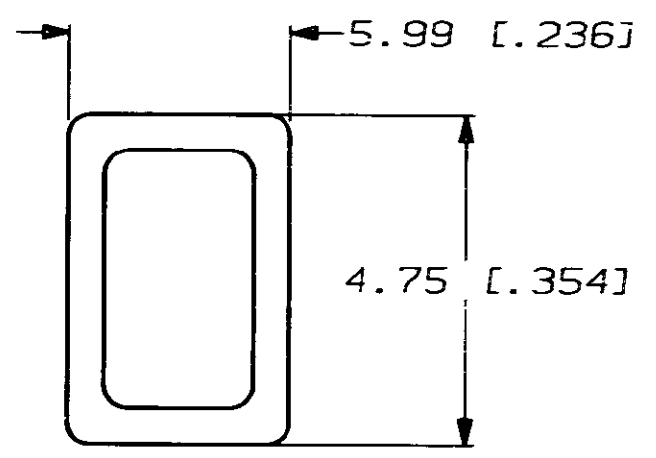


DRAWING MADE IN THIRD ANGLE PROJECTION

THIS DRAWING IS UNPUBLISHED. RELEASED FOR PUBLICATION
 © COPYRIGHT 19 BY AMP INCORPORATED. ALL INTERNATIONAL RIGHTS RESERVED.

LOC	DIST	P	F	ZONE	LTR	REVISIONS		DATE	APPD
CE	16					0	REL PER NPR 91-26	2-27-91	RRS



502656-1
 PART NUMBER

DO NOT SCALE PRINT. UNLESS SPECIFIED DIMENSIONS IN INCHES TOLERANCES ON : 2 PLC DEC ± - 3 PLC DEC ± - ANGLES ± -		DR 2-22-91 R R SCHAFFER CHK 2-22-91 D MULHOLLAND APPD 2-22-91 G WARNER APPD 2-22-91 J EBERLE PRODUCT SPEC - APPLICATION SPEC - WEIGHT -		AMP INCORPORATED Harrisburg, Pa. 17105 NAME FIBER PROTECTOR, AMP SC, OPTIMATE®	
MATERIAL THERMOPLASTIC		FINISH -		SIZE C	FSCM NO 00779
				DRAWING NO 502656	SHEET 1 OF 1

METRIC

CUSTOMER DRAWING